

Motorized Ball Valve WRA-63... series



Description

Winner motorized ball valve consists of on/off type or 3-point type actuator and W8BV... & WSBV series ball valve, which have compact structure, stable operation, excellent capacity of water stoppage, large water flow rate, zero dirt block and low torque. Winner motorized ball valves are widely used in HVAC system, heating system, water treatment system and some industrial equipment.

Application

HVAC system, heating system, Water treatment system, Industrial equipment

Operational mode

Winner motorized ball valve is motor-operated by a type of WRA-63..., and WRA-63...A actuator. The actuator is controlled by a modulating on/off or 3-point control system and move the ball of the valve, to the opening position dictated by the control signal.

Technical data

Valve body:

Medium: cold/hot water, with 50% glycol

Temperature of medium: -10~90°C for SS304, -20°C...110°C for Brass

Rated pressure: PN20

Pipe connector: internal thread

Ambient temp. range: -5...+60°C; 0...90%RH

Size: 1/2", 3/4" and 1" Valve type: 2-way and 3-way

Brass Material, Brass Ball Valve Body Model: W8BV...

Valve body: forged brass, Hpb59-1

Seal: ball: EPDM+PTFE

Ball: SS304

stem: FKM O-rings, with 3 O-ring

SS304 Material, SS304 Ball Valve Body Model: WSBV...

Valve body: Stainless Steel SS304

Sealing : EPDM+PTFE

Ball : Stainless Steel SS304

Stainless Steel SS304 Stem: EPDM O-rings, with 3 O-ring

Forged Brass Model No.		Inner Dia.	Inch	Kvs(m ³ /h)	△Pmax(KPa)	△ Ps(KPa)	Net Weight
W8BV215	2-way	12mm	1/2"	6.15	1000	1400	179g
W8BV215Z04		12mm	1/2"	4	1000	1400	171g
W8BV220		15mm	3/4"	10.5	1000	1400	247g
W8BV220Z06		15mm	3/4"	6	1000	1400	255g
W8BV225		20mm	1"	16.1	1000	1400	541g
W8BV225Z10		20mm	1"	10	1000	1400	536g
W8BV315	3-way	10mm	1/2"	3.9/2.2	1000	1400	236g
W8BV320		15mm	3/4"	6.80/4.2	1000	1400	370g
W8BV325		18mm	1"	15.8/7.5	1000	1400	598g

SS304 Model No.		Inner Dia.	Inch	Kvs(m ³ /h)	△Pmax(KPa)	△ Ps(KPa)	Net Weight
WSBV215	2-way	15mm	1/2"	10	1000	1000	231g
WSBV220		20mm	3/4"	16	1000	1000	349g
WSBV225		25mm	1"	26	1000	1000	505g
WSBV315	3-way	15mm	1/2"	10	1000	1000	434g
WSBV320		20mm	3/4"	16	1000	1000	842g
WSBV325		25mm	1"	26	1000	1000	1519g

**** (1) V-groove ball valves with different KV values can be customized.**

(2) BSP and NPT threads are commonly used products in our company.

(3) Rc internal thread stainless steel 304, 316, 316L stainless steel ball valves can be made.

Actuator

WRA-63... AC230/110/24V, 50/60Hz, 3-point

WRA-63...A AC230/110/24V, 50/60Hz, on/off

Output torque: >3.5N.m Angle of rotation: 90°

Protect rank: IP55/IP54 On/off time: 16S

Function (3-point or on/off type)

The actuator is controlled by a modulating on/off or 3-point control signal, using reversible synchronous motor and gear speed reducer drive to fix and lock.

WRA-63... 3-point type

Black wire is power on Valve closed

Brown wire is power on Valve open

Black or brown wire is power off Valve keep the current position

Blue wire is connected to the null wire. Also can be used as on/off type.

WRA-63...A on/off type

Black wire is the control wire. Power on: valve open, power off: valve close

Brown wire is connected to the power wire.

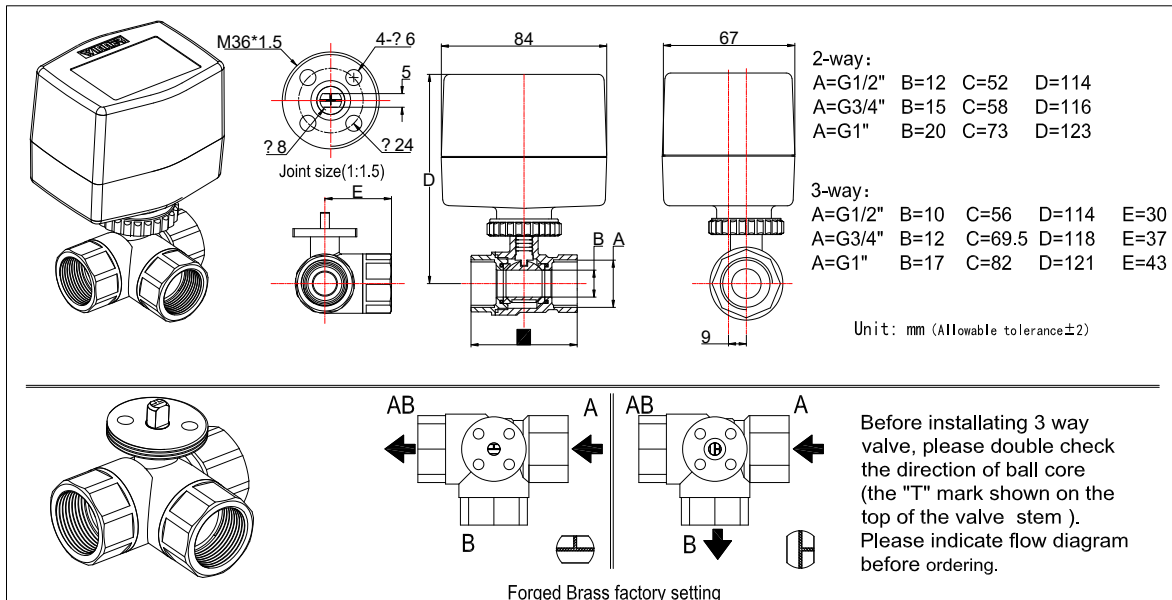
Blue wire is connected to the com. Only can be used as on/off type.

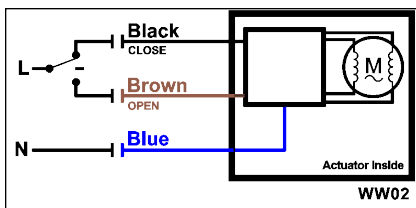
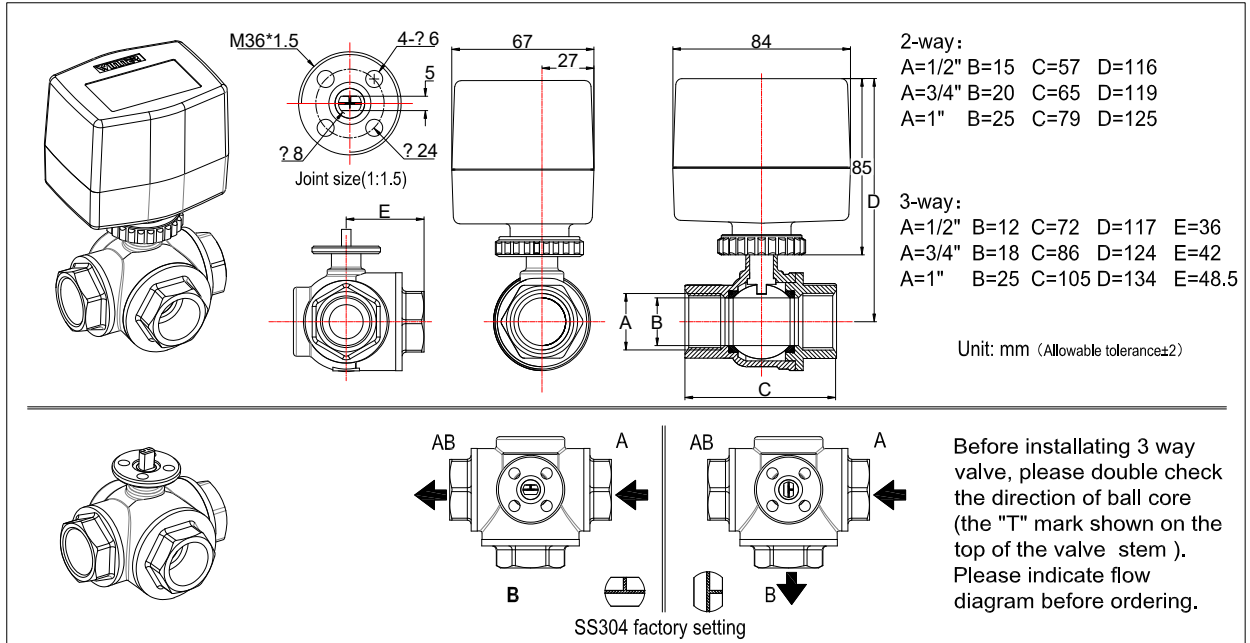
Model No.	Working Voltage	Actuator type	Output torque	Consumption	On/off time	Valve body	Net Weight
WRA-6320	230VAC±15%	3-point or on/off	3.5N.m	7W	50Hz:16S 60Hz:12S	W8BV215 WSBV215	382g
WRA-6320A	50/60Hz	On/off				W8BV220 WSBV220	393g
WRA-6310	110VAC±15%	3-point or on/off				W8BV225 WSBV225	385g
WRA-6310A	50/60Hz	On/off				W8BV315 WSBV315	396g
WRA-6302	24VAC±15%	3-point or on/off				W8BV320 WSBV320	398g
WRA-6302A	50/60Hz	On/off				W8BV325 WSBV325	402g

Installation:

Insert the valve stem to the bottom of the actuator, and insert 2 pin, located in the bottom of the actuator to the valve's mounting hole. Then screw down the brass cap nut.

Dimension and Wiring

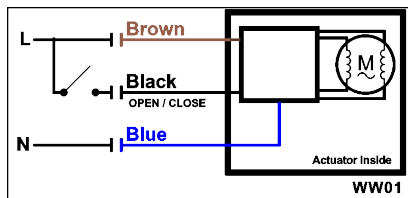




Valve (ON): Brown wire
 Valve (OFF): Black wire
 Com(N): Blue wire

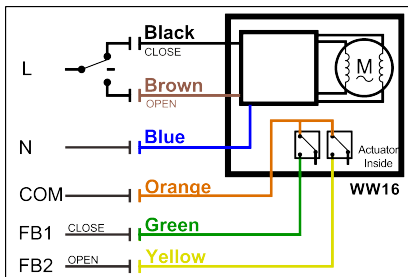
Black wire and brown wire are prohibited to get electricity at the same time!!!

RA-6320, WRA-6310, WRA-6302



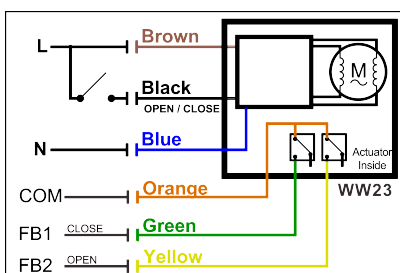
Control wire(ON or OFF): Black wire
 Power wire(L): Brown wire
 Common port(N): Blue wire

WRA-6320A, WRA-6310A, WRA-6302A



Valve (ON): Brown wire
 Valve (OFF): Black wire
 Com(N): Blue wire

FB1: fully close position feedback
FB2: fully open position feedback



Control wire: Black wire
 Power wire(L): Brown wire
 Common port(N): Blue wire

FB1: fully close position feedback
FB2: fully open position feedback